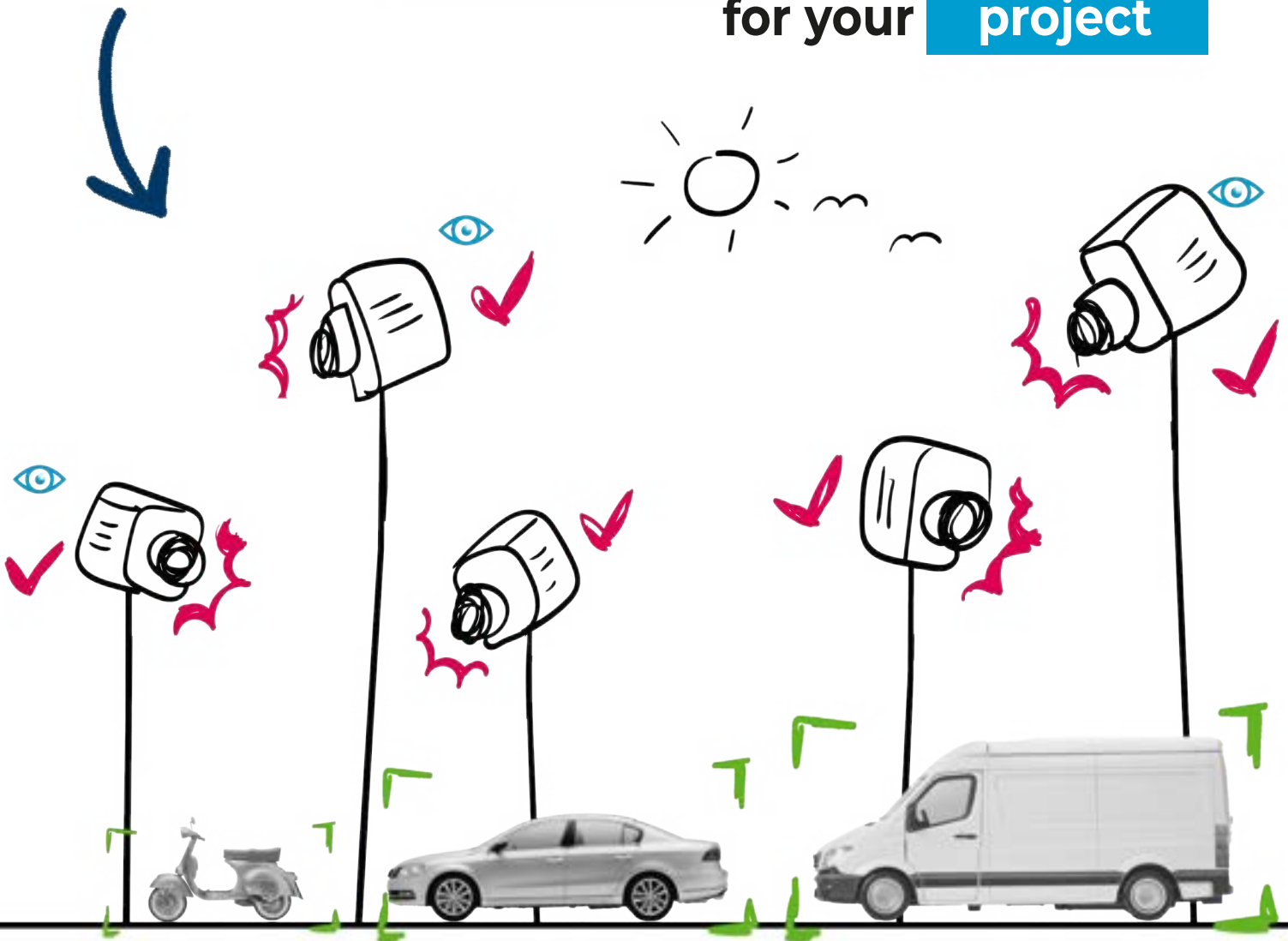


LPR CAMERAS

High Accuracy
+99%

**PLUG
& PLAY**

Choose the best **LPR camera** for your **project**





**Embedded (AiO)
or Server-based**



**IR illumination
or White Light**



**Software LPR
OCR5 Lite/Pro/Pro+**

AiO or PC?

AiO (All-in-One)

- Network independent
- Independent lane
- Redundant (AiO and PC)

PC (PC - Server - VM)

- Processing speed
- Centralized software
- Cloud processing

IR or HYBRID?

IR (Infrared Light)

- B/W Image
- Reflective license plates
- Europe, Latam and Asia

Hybrid (White light & IR)

- Color or B/W Image
- NON-reflective license plates
- Badly damaged license plates
- USA, Australia, Brazil
Saudi Arabia, UAE
- Vehicle type (OCR5+)

LITE/PRO/PRO+?

LITE

- Price
- One camera per lane
- Front capture
- B/W Image

PRO

- Max. 2 cameras per lane
- Car & motorcycle lane
- Ticketless car lane

PRO+

- + 2 cameras per lane
- Ticketless cars & motorcycles
- Barrierless cars & motorcycles
- Motorcycle or car type
- Free Flow

LPR CAMERA MODELS

			Location	Capture	Maximum distance	Lane width
	COMPACT	IR HYBRID	Ground	Front	8 m / 26 ft 5 m / 16 ft*	5 m / 16 ft 4 m / 13 ft*
	BULLET	IR HYBRID	Wall, Ceiling or Pole	Front and Rear	8 m / 26 ft	5 m / 16 ft
	DOME	IR HYBRID	Barrier, Wall or Ceiling	Front and Rear	6 m / 20 ft	4 m / 13 ft
	BULLET XXL	IR HYBRID	Wall, Ceiling or Pole	Front and Rear	15 m / 50 ft 10 m / 33 ft*	5,5 m / 18 ft 4,5 m / 15 ft*
	TOTEM	IR HYBRID	Ground	Front and Rear Trucks	8 m / 26 ft 5 m / 16 ft*	5 m / 16 ft 4 m / 13 ft*

[*] Maximum distance in case of only having the illumination of the hybrid led projector or the white led spotlight.
The maximum distance for the Hybrid models, in case of having ambient lighting of 50 lux in the license plate, is the same as in the IR models.

TYPE OF FACILITY

		Parking	Corporate Residential	Shoppings	Airports Ports	Border posts	Industrial access	Urban traffic
	COMPACT							
	BULLET							
	DOME							
	BULLET XXL							
	TOTEM							

LPR CAMERA COMPACT

The best-selling LPR

High Accuracy
+99%



Front and rear capture

Ground

Max. distance
8 m / 26 ft.



Parking



Corporate Residential



Shopping Mall



Airports Ports



Border Posts



Industrial Access

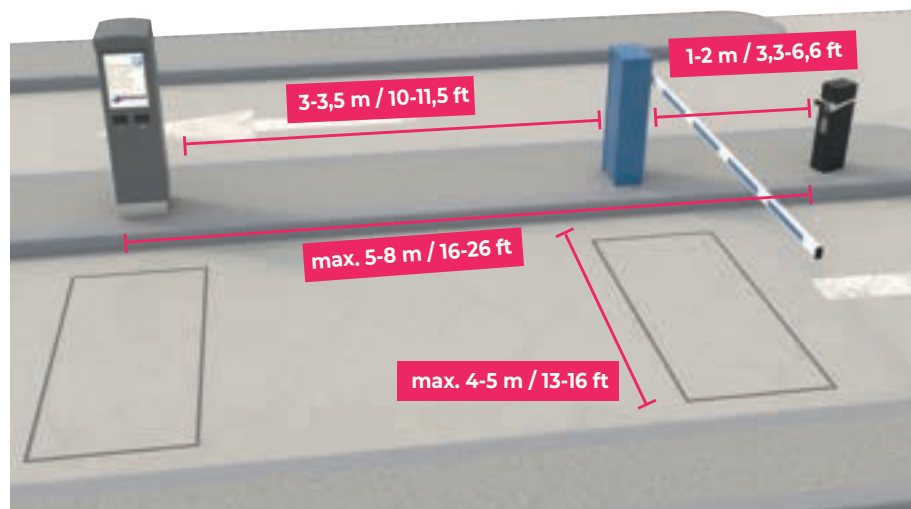
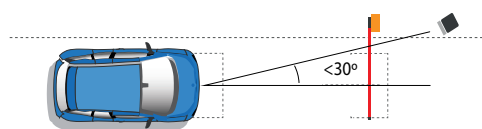


Urban Traffic

RECOMMENDED POSITIONING

The positioning of the capture unit with regard to the ground must always meet the following requirements:

- The smallest possible horizontal and vertical inclination with respect to the center of the license plate. The maximum recommended inclination is 30°.
- When the vehicle is captured it must be properly in the lane. It is always necessary to seek the most perpendicular position for the camera in terms of the number plate.
- If the capture is performed using a software or hardware trigger, it is necessary to take into account the concealment produced when vehicles travel in convoy.
- It is necessary to avoid concealments caused by the barrier, since the barrier can obscure the camera's view of the number plate when in movement.



	Location	Capture	Maximum distance	Lane width
IR HYBRID	Ground	Front	8 m / 26 ft 5 m / 16 ft*	5 m / 16 ft 4 m / 13 ft*

[*] Maximum distance in case of only having the illumination of the hybrid led projector or the white led spotlight. The maximum distance for the Hybrid models, in case of having ambient lighting of 50 lux in the license plate, is the same as in the IR models.

COMPACT HOUSING

Material	Stainless steel 304 of 1.2 mm treatment of removing for phosphate and painted with powder
Internal dimensions	150x220 mm (WxD); Height 700 mm
Temperature range	-20°C / +50°C
Window	65x232 mm (WxD)
Weight	10 kg.
Accessories	Electric board to install components inside
Color	Black RAL 9005 Textured

IP CAMERA

	LITE	PRO	PRO+
Camera model	Axis P3245V	Axis P3245V	Axis P3265V
Processor	Artpec7 32 bits	Artpec7 32 bits	Artpec8 64 bits
RAM	1 GB	1 GB	1 GB
Image sensor	1/2.8" RGB CMOS	1/2.8" RGB CMOS	1/2.8" RGB CMOS
Maximum resolution	1080 HDTV (1920x1080)	1080 HDTV (1920x1080)	1080 HDTV (1920x1080)
Lens	Varifocal, 3,4-8,9 mm, F1.8	Varifocal, 3,4-8,9 mm, F1.8	Varifocal, 3,4-8,9 mm, F1.8
Video compression	H.264 / H.265 / MJPEG	H.264 / H.265 / MJPEG	H.264 / H.265 / MJPEG
Power supply	Power over Ethernet (PoE) 802.3af/802.3at Type1 Class3 Typical 3.5 W, max. 5.7 W	Power over Ethernet (PoE) 802.3af/802.3at Type1 Class3 Typical 3.5 W, max. 5.7 W	Power over Ethernet (PoE) IEEE 802.3af/802.3at Type1 Class3 Typical 3 W, max. 5.1 W
AXIS warranty	5 years	5 years	5 years

IR/HYBRID ILLUMINATOR

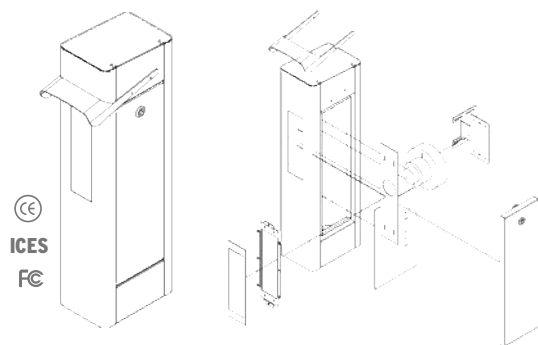


	IR (infrared)	HYBRID (white light + infrared)
Operation	IR illuminator with SMD technology for B/W cameras - IR sensitive	Hybrid illuminator with SMD IR leds to work in B/W and SMD White light leds to work in color
Number of LEDs	12 High Power IR LEDs	9 High Power IR Leds / 3 High Power White Light Leds
Wavelength	850 nm	
Power supply	10,5 Vdc - 15 Vdc I _{max} 1500mA	10,5 Vdc - 15 Vdc I _{max} 1500mA

SPLITTER PoE

Operation	Distributes data to the camera and power supply to the LED board
Outputs	12 Vdc and PoE
Power supply	PoE+ - 802.at Type 2 30W

DIAGRAMS



ANCHORING TYPE

This model is designed to be installed on the ground, recommended for flat access points or ones that are not very steep.



ALL-IN-ONE CAMERAS

REF.	CAMERA MODEL
10 01 01	Compact IR AIO LITE
10 02 01	Compact IR AIO PRO
10 03 01	Compact IR AIO PRO+
11 02 01	Compact HYBRID AIO PRO
11 03 01	Compact HYBRID AIO PRO+

PC-BASED CAMERAS

REF.	CAMERA MODEL
13 01 01	Compact IR PC LITE
13 02 01	Compact IR PC PRO
13 03 01	Compact IR PC PRO+
14 02 01	Compact HYBRID PC PRO
14 03 01	Compact HYBRID PC PRO+

LPR CAMERA BULLET

The most versatile LPR

High Accuracy
+99%



Front and rear capture

Wall, ceiling or pole

Max. distance 8 m / 26 ft.



Parking



Corporate Residential



Shopping Mall



Airports Ports



Border Posts



Industrial Access



Urban Traffic

The positioning of the capture unit on the ceiling or wall must always meet the following requirements:

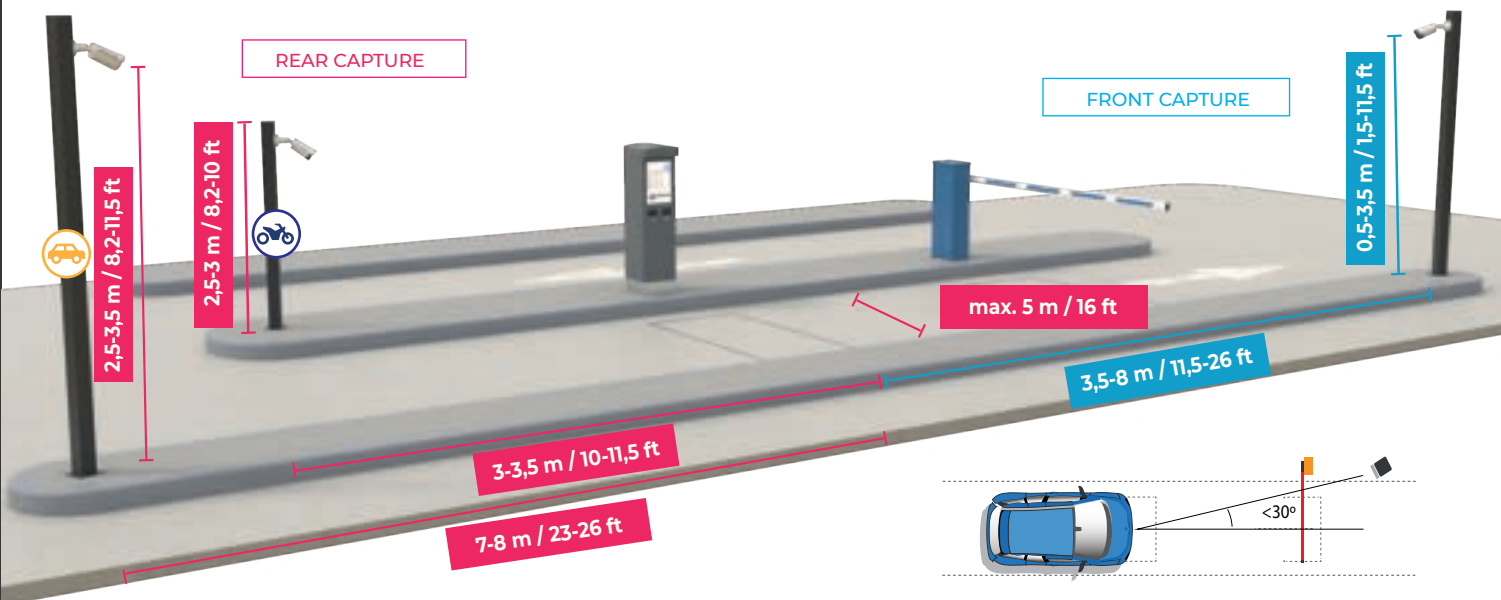
- The smallest possible horizontal and vertical inclination with respect to the center of the license plate. The maximum recommended inclination is 30°.

- When the vehicle is captured it must be properly in the lane. It is always necessary to seek the most perpendicular position for the camera in terms of the number plate.

- If the capture is performed using a software or hardware trigger, it is necessary to take into account the concealment produced when vehicles travel in convoy.

- It is necessary to avoid concealments caused by the barrier, since the barrier can obscure the camera's view of the number plate when in movement.

RECOMMENDED POSITIONING



	Location	Capture	Maximum distance	Lane width
IR HYBRID	Wall, Ceiling or Pole	Front and Rear	8 m / 26 ft	5 m / 16 ft

IP CAMERA

	LITE	PRO	PRO+
Camera model	Axis P1455LE	Axis P1455LE	Axis P1465LE
Processor	Artpec7 32 bits	Artpec7 32 bits	Artpec8 64 bits
RAM	1 GB	1 GB	1 GB
Image sensor	1/2.8" RGB CMOS	1/2.8" RGB CMOS	1/2.8" RGB CMOS
Maximum resolution	1080 HDTV (1920x1080)	1080 HDTV (1920x1080)	1080 HDTV (1920x1080)
Lens	Varifocal, 3-9 mm, F1.6	Varifocal, 3-9 mm, F1.6	Varifocal, 3-9 mm, F1.6
Video compression	H.264 / H.265 / MJPEG	H.264 / H.265 / MJPEG	H.264 / H.265 / MJPEG
Power supply	Power over Ethernet (PoE) 802.3af/802.3at Type1 Class3 Typical 7.7 W, max. 12.95 W	Power over Ethernet (PoE) 802.3af/802.3at Type1 Class3 Typical 7.7 W, max. 12.95 W	Power over Ethernet (PoE) IEEE 802.3af/802.3at Type1 Class3 Typical 7.7 W, max. 12.95 W
AXIS warranty	5 years	5 years	5 years

IR/HYBRID ILLUMINATOR

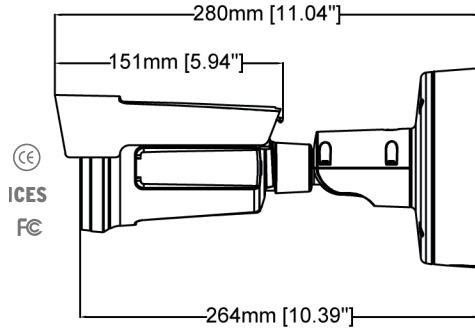


	IR (infrared)	HYBRID (white light + infrared)
Operation	IR illuminator with SMD technology for B/W cameras - IR sensitive	White light SMD LED illuminator for work in color
Number of LEDS	2 High Power IR LEDS integrated in the camera	External focus of 6 LEDS High Power White Light
Wavelength	850 nm	White Light
Power supply	-	12 Vdc - 15W max.

PoE SPLITTER (optional)

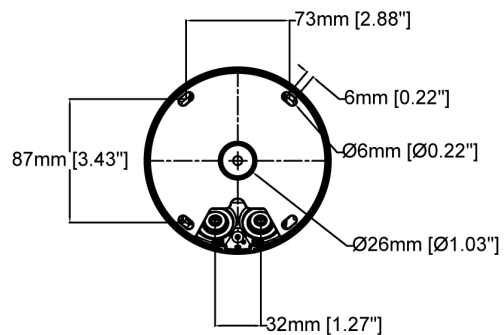
Operation	Distributes data to the camera and power supply to the LED board
Outputs	12 Vdc & PoE
Power supply	PoE+ - 802.at Type 2 30W

DIAGRAMS



ANCHORING TYPE

This model is designed to be installed on a wall, ceiling or pole.



ALL-IN-ONE CAMERAS

REF.	CAMERA MODEL
10 01 02	Bullet IR AIO LITE
10 02 02	Bullet IR AIO PRO
10 03 02	Bullet IR AIO PRO+
11 02 02	Bullet HYBRID AIO PRO
11 03 02	Bullet HYBRID AIO PRO+

PC-BASED CAMERAS

REF.	CAMERA MODEL
13 01 02	Bullet IR PC LITE
13 02 02	Bullet IR PC PRO
13 03 02	Bullet IR PC PRO+
14 02 02	Bullet HYBRID PC PRO
14 03 02	Bullet HYBRID PC PRO+

LPR CAMERA DOME

The vandal proof LPR

High Accuracy
+99%



Front and rear capture

Wall, ceiling or barrier

Max. distance
6 m / 20 ft.



Parking



Corporate Residential



Shopping Mall



Airports Ports



Border Posts



Industrial Access



Urban Traffic

The positioning of the capture unit on the ceiling or wall must always meet the following requirements:

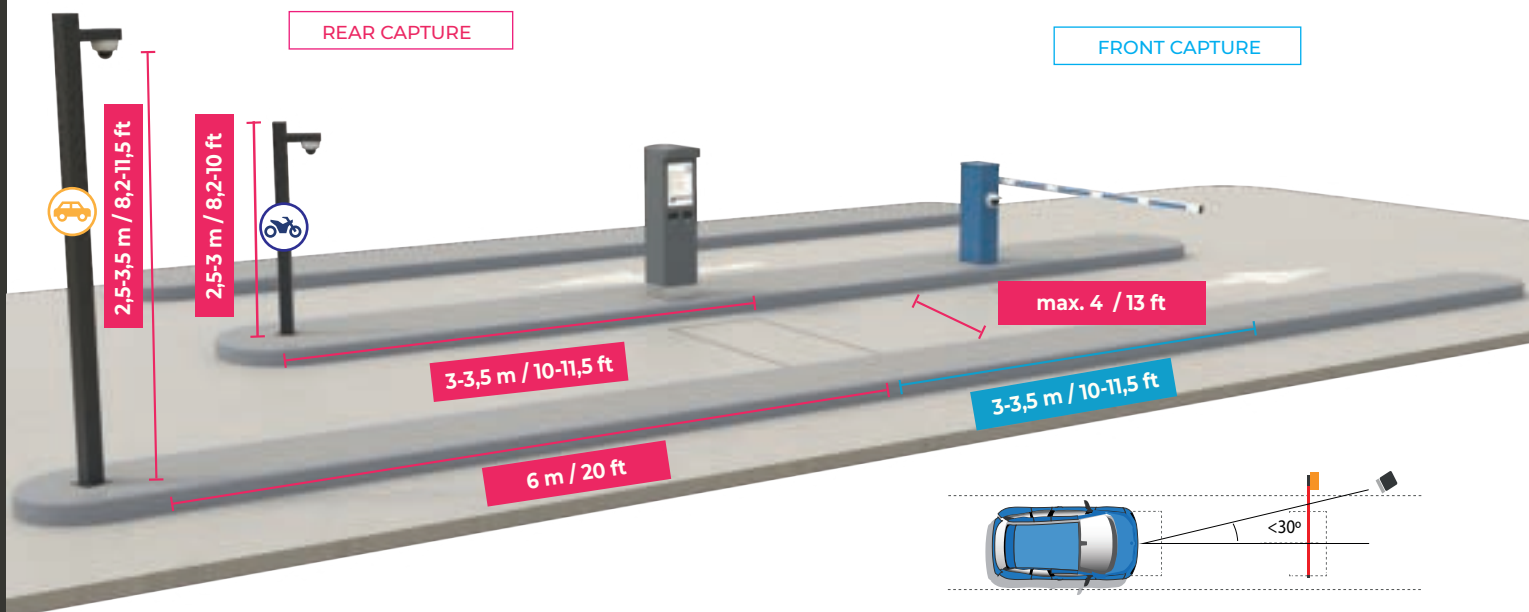
- The smallest possible horizontal and vertical inclination with respect to the center of the license plate. The maximum recommended inclination is 30°.

- When the vehicle is captured it must be properly in the lane. It is always necessary to seek the most perpendicular position for the camera in terms of the number plate.

- If the capture is performed using a software or hardware trigger, it is necessary to take into account the concealment produced when vehicles travel in convoy.

- It is necessary to avoid concealments caused by the barrier, since the barrier can obscure the camera's view of the number plate when in movement.

RECOMMENDED POSITIONING



	Location	Capture	Maximum distance	Lane width
IR HYBRID	Barrier, Wall or Ceiling	Front and Rear	6 m / 20 ft	4 m / 13 ft

IP CAMERA

	LITE	PRO	PRO+
Camera model	Axis P3245LVE	Axis P3245LVE	Axis P3265LVE
Processor	Artpec7 32 bits	Artpec7 32 bits	Artpec8 64 bits
RAM	1 GB	1 GB	1 GB
Image sensor	1/2.8" RGB CMOS	1/2.8" RGB CMOS	1/2.8" RGB CMOS
Maximum resolution	1080 HDTV (1920x1080)	1080 HDTV (1920x1080)	1080 HDTV (1920x1080)
Lens	Varifocal, 3.4-8,9 mm, F1.8	Varifocal, 3.4-8,9 mm, F1.8	Varifocal, 3.4-8,9 mm, F1.8
Video compression	H.264 / H.265 / MJPEG	H.264 / H.265 / MJPEG	H.264 / H.265 / MJPEG
Power supply	Power over Ethernet (PoE) 802.3af/802.3at Type1 Class3 Typical 6.4 W, max. 11.3 W	Power over Ethernet (PoE) 802.3af/802.3at Type1 Class3 Typical 6.4 W, max. 11.3 W	Power over Ethernet (PoE) IEEE 802.3af/802.3at Type1 Class3 Typical 4.8 W, max. 10.7 W
AXIS warranty	5 years	5 years	5 years

IR/HYBRID ILLUMINATOR

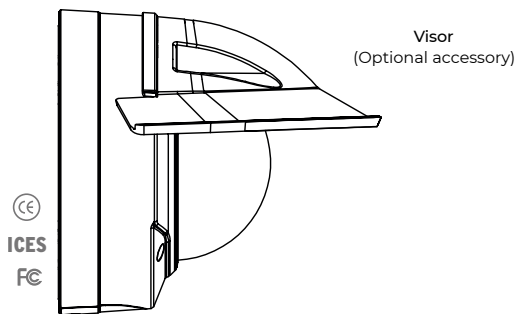


	IR (infrared)	HYBRID (white light + infrared)
Operation	IR illuminator with SMD technology for B/W cameras - IR sensitive	White light SMD LED illuminator for work in color
Number of LEDs	2 High Power IR LEDs integrated in the camera	External focus of 6 LEDs High Power White Light
Wavelength	850 nm	White Light
Power supply	-	12 Vdc - 15W max.

PoE SPLITTER (optional)

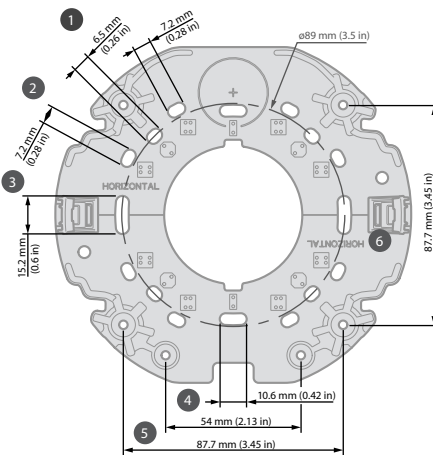
Operation	Distributes data to the camera and power supply to the LED board
Outputs	12 Vdc & PoE
Power supply	PoE+ - 802.at Type 2 30W

DIAGRAMS



ANCHORING TYPE

DOME is recommended where the capture unit has to go on the ceiling, wall or barrier



ALL-IN-ONE CAMERAS

REF.	CAMERA MODEL
10 01 03	Dome IR AIO LITE
10 02 03	Dome IR AIO PRO
10 03 03	Dome IR AIO PRO+
11 02 03	Dome HYBRID AIO PRO
11 03 03	Dome HYBRID AIO PRO+

PC-BASED CAMERAS

REF.	CAMERA MODEL
13 01 03	Dome IR PC LITE
13 02 03	Dome IR PC PRO
13 03 03	Dome IR PC PRO+
14 02 03	Dome HYBRID PC PRO
14 03 03	Dome HYBRID PC PRO+

LPR CAMERA BULLET XXL

The long-range LPR

High Accuracy
+99%



- Automatic Zoom & Focus
- Black/White
- Color
- PoE

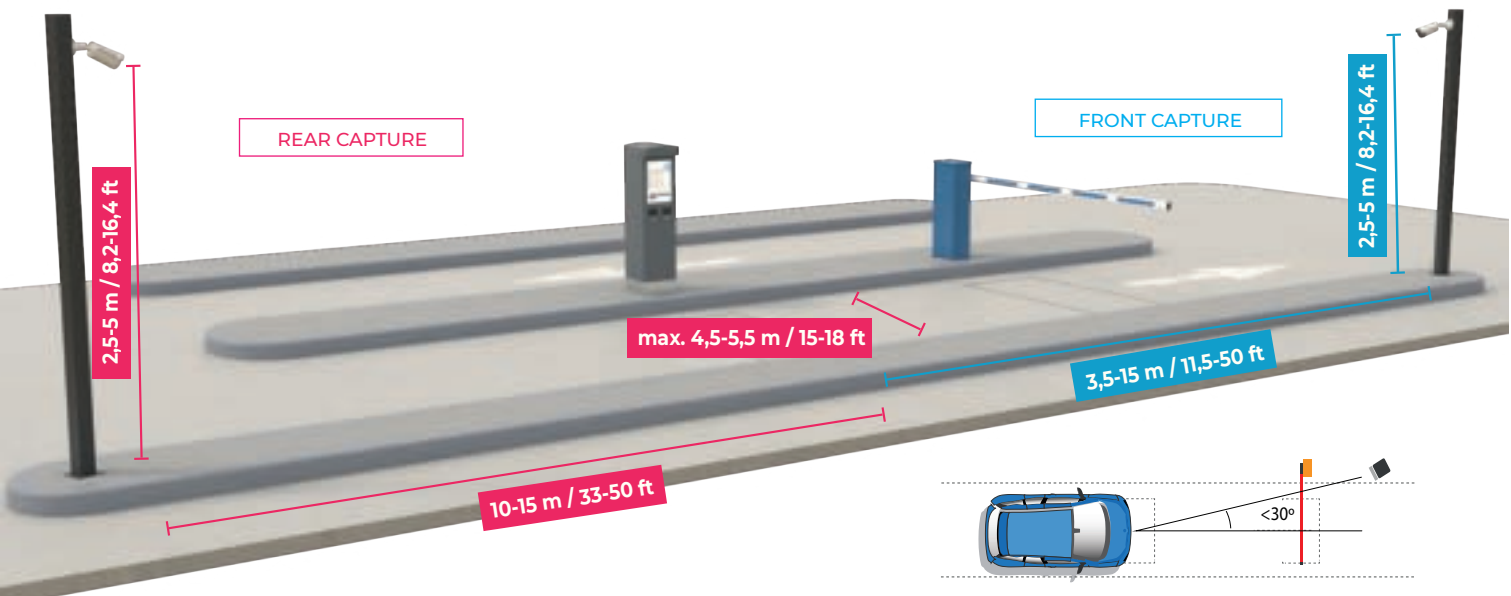
- Front and rear capture
- Wall, ceiling or pole
- Max. distance 15 m / 50 ft.

- Parking
- Corporate Residential
- Shopping Mall
- Airports Ports
- Border Posts
- Industrial Access
- Urban Traffic

The positioning of the capture unit on the ceiling or wall must always meet the following requirements:

RECOMMENDED POSITIONING

- The smallest possible horizontal and vertical inclination with respect to the center of the license plate. The maximum recommended inclination is 30°.
- When the vehicle is captured it must be properly in the lane. It is always necessary to seek the most perpendicular position for the camera in terms of the number plate.
- If the capture is performed using a software or hardware trigger, it is necessary to take into account the concealment produced when vehicles travel in convoy.
- It is necessary to avoid concealments caused by the barrier, since the barrier can obscure the camera's view of the number plate when in movement.



	Location	Capture	Maximum distance	Lane width
IR HYBRID	Wall, Ceiling or Pole	Front and Rear	15 m / 50 ft 10 m / 33 ft*	5,5 m / 18 ft 4,5 m / 15 ft*

(*) Maximum distance in case of only having the illumination of the hybrid led projector or the white led spotlight. The maximum distance for the Hybrid models, in case of having ambient lighting of 50 lux in the license plate, is the same as in the IR models.

IP CAMERA

	LITE	PRO	PRO+
Camera model	Axis Q1785LE	Axis Q1785LE	Axis Q1785LE
Processor	Artpec6 32 bits	Artpec6 32 bits	Artpec6 32 bits
RAM	1 GB	1 GB	1 GB
Image sensor	1/2.8" RGB CMOS	1/2.8" RGB CMOS	1/2.8" RGB CMOS
Maximum resolution	1080 HDTV (1920x1080)	1080 HDTV (1920x1080)	1080 HDTV (1920x1080)
Lens	Varifocal, 4,3-137 mm, F1.4	Varifocal, 4,3-137 mm, F1.4	Varifocal, 4,3-137 mm, F1.4
Video compression	H.264 / H.265 / MJPEG	H.264 / H.265 / MJPEG	H.264 / H.265 / MJPEG
Power supply	Power over Ethernet (PoE) 802.3af/802.3at Type1 Class3 Typical 7.7 W, máx. 12.95 W	Power over Ethernet (PoE) 802.3af/802.3at Type1 Class3 Typical 7.7 W, máx. 12.95 W	Power over Ethernet (PoE) IEEE 802.3af/802.3at Type1 Class3 Typical 7.7 W, máx. 12.95 W
AXIS warranty	5 years	5 years	5 years

IR/HYBRID ILLUMINATOR

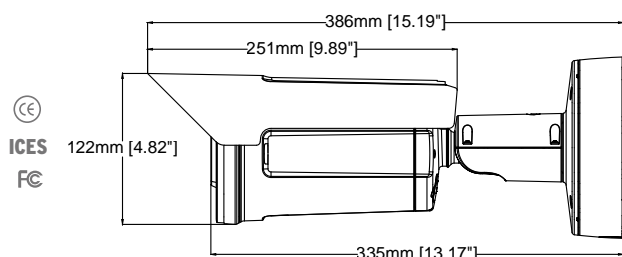


	IR (infrared)	HYBRID (white light + infrared)
Operation	IR illuminator with SMD technology for B/W cameras - IR sensitive	White light SMD LED illuminator for work in color
Number of LEDs	2 High Power IR LEDs integrated in the camera	External focus of 6 LEDs High Power White Light
Wavelength	850 nm	White Light
Power supply	-	12 Vdc - 15W max.

PoE SPLITTER (optional)

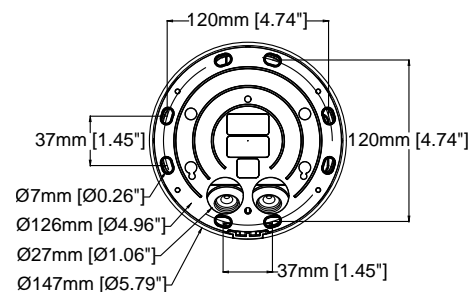
Operation	Distributes data to the camera and power supply to the LED board
Outputs	12 Vdc & PoE
Power supply	PoE+ - 802.at Type 2 30W

DIAGRAMS



ANCHORING TYPE

This model is designed to be installed on a wall, ceiling or pole.



ALL-IN-ONE CAMERAS

REF.	CAMERA MODEL
10 01 04	Bullet XXL IR AIO LITE
10 02 04	Bullet XXL IR AIO PRO
10 03 04	Bullet XXL IR AIO PRO+
11 02 04	Bullet XXL HYBRID AIO PRO
11 03 04	Bullet XXL HYBRID AIO PRO+

PC-BASED CAMERAS

REF.	CAMERA MODEL
13 01 04	Bullet XXL IR PC LITE
13 02 04	Bullet XXL IR PC PRO
13 03 04	Bullet XXL IR PC PRO+
14 02 04	Bullet XXL HYBRID PC PRO
14 03 04	Bullet XXL HYBRID PC PRO+

LPR CAMERA TOTEM

The classic LPR

High Accuracy
+99%



Front and rear capture

Ground

Max. distance
8 m / 26 ft.



Parking



Corporate Residential



Shopping Mall



Airports Ports



Border Posts



Industrial Access

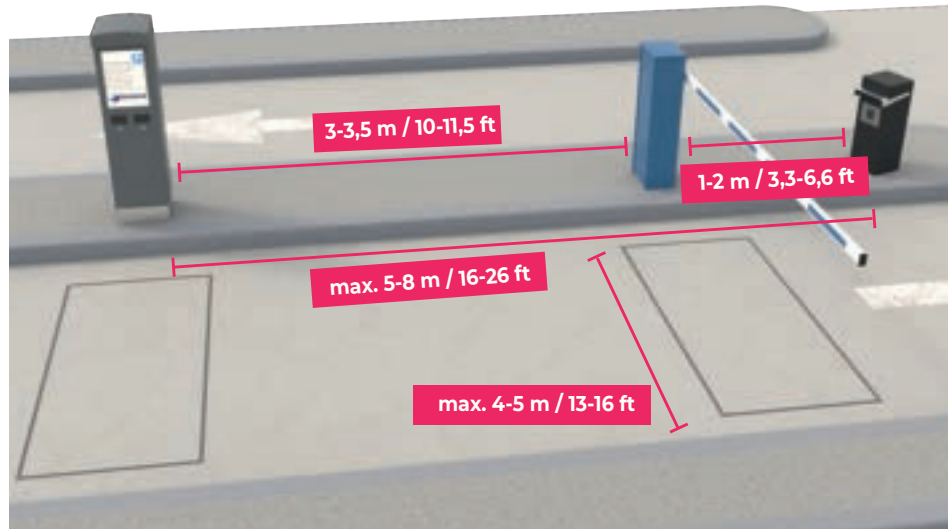
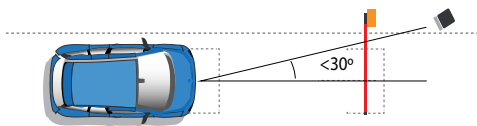


Urban Traffic

RECOMMENDED POSITIONING

The positioning of the capture unit with regard to the ground must always meet the following requirements:

- The smallest possible horizontal and vertical inclination with respect to the center of the license plate. The maximum recommended inclination is 30°.
- When the vehicle is captured it must be properly in the lane. It is always necessary to seek the most perpendicular position for the camera in terms of the number plate.
- If the capture is performed using a software or hardware trigger, it is necessary to take into account the concealment produced when vehicles travel in convoy.
- It is necessary to avoid concealments caused by the barrier, since the barrier can obscure the camera's view of the number plate when in movement.



	Location	Capture	Maximum distance	Lane width
IR HYBRID	Ground	Front and Rear	8 m / 26 ft 5 m / 16 ft*	5 m / 16 ft 4 m / 13 ft*

[*] Maximum distance in case of only having the illumination of the hybrid led projector or the white led spotlight. The maximum distance for the Hybrid models, in case of having ambient lighting of 50 lux in the license plate, is the same as in the IR models.

TOTEM HOUSING

Material	Stainless steel 304 of 1.5 mm treatment of removing for phosphate and painted with powder
Internal dimensions	260x250mm (WxD); Height 700mm
Temperature range	-20°C / +50°C
Protection	IP 65 (EN 60529)
Window	180x140mm (WxH); glass 5mm.
Weight	18 kg.
Accessories	Electric board to install components inside
Color	Color Black RAL 9005 GOF

IP CAMERA

	LITE	PRO	PRO+
Camera model	Axis P3245V	Axis P3245V	Axis P3265V
Processor	Artpec7 32 bits	Artpec7 32 bits	Artpec8 64 bits
RAM	1 GB	1 GB	1 GB
Image sensor	1/2.8" RGB CMOS	1/2.8" RGB CMOS	1/2.8" RGB CMOS
Maximum resolution	1080 HDTV (1920x1080)	1080 HDTV (1920x1080)	1080 HDTV (1920x1080)
Lens	Varifocal, 3.4-8.9 mm, F1.8	Varifocal, 3.4-8.9 mm, F1.8	Varifocal, 3.4-8.9 mm, F1.8
Video compression	H.264 / H.265 / MJPEG	H.264 / H.265 / MJPEG	H.264 / H.265 / MJPEG
Power supply	Power over Ethernet (PoE) 802.3af/802.3at Type1 Class3 Typical 3.5 W, max. 5.7 W	Power over Ethernet (PoE) 802.3af/802.3at Type1 Class3 Typical 3.5 W, max. 5.7 W	Power over Ethernet (PoE) IEEE 802.3af/802.3at Type1 Class3 Typical 3.5 W, max. 5.7 W
AXIS warranty	5 years	5 years	5 years

IR/HYBRID ILLUMINATOR

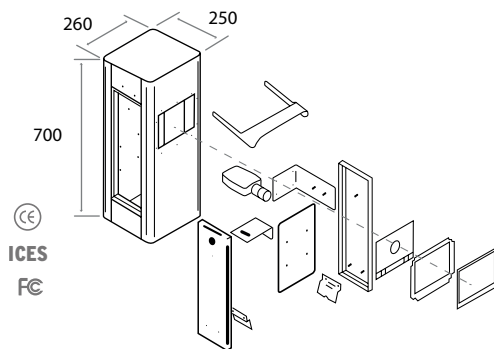


	IR (infrared)	HYBRID (white light + infrared)
Operation	IR illuminator with SMD technology for B/W cameras - IR sensitive	Hybrid illuminator with SMD IR leds to work in B/W and SMD White light leds to work in color
Number of LEDES	12 High Power IR LEDs	9 High Power IR Leds / 3 High Power White Light Leds
Wavelength	850 nm	
Power supply	10,5 Vdc - 15 Vdc I _{max} 1500mA	10,5 Vdc - 15 Vdc I _{max} 1500mA

PoE SPLITTER

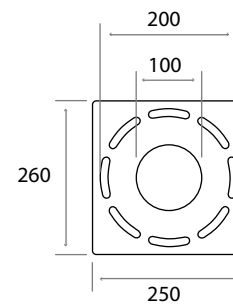
Operation	Distributes data to the camera and power supply to the LED board
Outputs	12 Vdc & PoE
Power supply	PoE+ - 802.at Type 2 30W

DIAGRAMS



ANCHORING TYPE

This model is designed to be installed on the ground, recommended for flat access points or ones that are not very steep.



ALL-IN-ONE CAMERAS

REF.	CAMERA MODEL
10 01 05	Totem IR AIO LITE
10 02 05	Totem IR AIO PRO
10 03 05	Totem IR AIO PRO+
11 02 05	Totem HYBRID AIO PRO
11 03 05	Totem HYBRID AIO PRO+

PC-BASED CAMERAS

REF.	CAMERA MODEL
13 01 05	Totem IR PC LITE
13 02 05	Totem IR PC PRO
13 03 05	Totem IR PC PRO+
14 02 05	Totem HYBRID PC PRO
14 03 05	Totem HYBRID PC PRO+